

PROCEEDINGS OF SPIE

Solid State Lasers XVII: Technology and Devices

**W. Andrew Clarkson
Norman Hodgson
Ramesh K. Shori**
Editors

**20–24 January 2008
San Jose, California, USA**

Sponsored by
SPIE

Cosponsored by
Coherent, Inc. (USA)

Published by
SPIE

Volume 6871

Proceedings of SPIE, 0277-786X, v. 6871

SPIE is an international society advancing an interdisciplinary approach to the science and application of light.

The papers included in this volume were part of the technical conference cited on the cover and title page. Papers were selected and subject to review by the editors and conference program committee. Some conference presentations may not be available for publication. The papers published in these proceedings reflect the work and thoughts of the authors and are published herein as submitted. The publisher is not responsible for the validity of the information or for any outcomes resulting from reliance thereon.

Please use the following format to cite material from this book:

Author(s), "Title of Paper," in *Solid State Lasers XVII: Technology and Devices*, edited by W. Andrew Clarkson, Norman Hodgson, Ramesh K. Shori, Proceedings of SPIE Vol. 6871 (SPIE, Bellingham, WA, 2008) Article CID Number.

ISSN 0277-786X
ISBN 9780819470461

Published by

SPIE

P.O. Box 10, Bellingham, Washington 98227-0010 USA
Telephone +1 360 676 3290 (Pacific Time) · Fax +1 360 647 1445
SPIE.org

Copyright © 2008, Society of Photo-Optical Instrumentation Engineers

Copying of material in this book for internal or personal use, or for the internal or personal use of specific clients, beyond the fair use provisions granted by the U.S. Copyright Law is authorized by SPIE subject to payment of copying fees. The Transactional Reporting Service base fee for this volume is \$18.00 per article (or portion thereof), which should be paid directly to the Copyright Clearance Center (CCC), 222 Rosewood Drive, Danvers, MA 01923. Payment may also be made electronically through CCC Online at copyright.com. Other copying for republication, resale, advertising or promotion, or any form of systematic or multiple reproduction of any material in this book is prohibited except with permission in writing from the publisher. The CCC fee code is 0277-786X/08/\$18.00.

Printed in the United States of America.

Publication of record for individual papers is online in the SPIE Digital Library.

SPIE 
Digital Library

SPIDigitalLibrary.org

Paper Numbering: Proceedings of SPIE follow an e-First publication model, with papers published first online and then in print and on CD-ROM. Papers are published as they are submitted and meet publication criteria. A unique, consistent, permanent citation identifier (CID) number is assigned to each article at the time of the first publication. Utilization of CIDs allows articles to be fully citable as soon they are published online, and connects the same identifier to all online, print, and electronic versions of the publication. SPIE uses a six-digit CID article numbering system in which:

- The first four digits correspond to the SPIE volume number.
- The last two digits indicate publication order within the volume using a Base 36 numbering system employing both numerals and letters. These two-number sets start with 00, 01, 02, 03, 04, 05, 06, 07, 08, 09, 0A, 0B ... 0Z, followed by 10-1Z, 20-2Z, etc.

The CID number appears on each page of the manuscript. The complete citation is used on the first page, and an abbreviated version on subsequent pages. Numbers in the index correspond to the last two digits of the six-digit CID number.

Contents

xiii *Conference Committee*

xvii *The long journey from idea to industrial success (Plenary Paper) [6874-26]*
H. Schlüter, TRUMPF Inc. (USA)

SESSION 1 Q-SWITCHED LASERS

- 6871 02 **All-optical synchronization of a Q-switched 100ps microchip laser to a femtosecond laser reference source** [6871-01]
D. Nodop, J. Rothardt, S. Haedrich, J. Limpert, A. Tünnermann, Friedrich-Schiller Univ. (Germany)
- 6871 03 **Instantaneous measurement of M^2 beam propagation ratio in real-time** [6871-02]
A. M. Cary, J. L. Guttman, R. Chirita, D. W. Peterman, Photon Inc. (USA)
- 6871 04 **Q-switched lasing on a weak transition: new approach** [6871-03]
A. Khizhnyak, V. Markov, MetroLaser, Inc. (USA)
- 6871 05 **Design and performance of a high-repetition-rate single-frequency Yb:YAG microlaser** [6871-04]
R. L. Schmitt, B. T. Do, Sandia National Labs. (USA)
- 6871 06 **3-dimensional simulation of the solid state lasers** [6871-05]
C. Pflaum, M. Wohlmuth, Univ. Erlangen-Nuremberg (Germany)
- 6871 07 **Injection seeded Nd:YAG ring laser generating 200 mJ Q-switched pulses** [6871-06]
A. Khizhnyak, V. Markov, F. Wu, MetroLaser, Inc. (USA)
- 6871 08 **Stabilization technique for injection seeding Nd:YAG lasers using microwave range mode beating** [6871-111]
W. E. van der Veer, Univ. of California, Irvine (USA)

SESSION 2 SPACE QUALIFIED AND STABILIZED LASERS I

- 6871 09 **Very high-efficiency frequency-tripled Nd:YAG MOPA for spaceborne lidar (Invited Paper)** [6871-07]
J. Luttmann, K. Nicklaus, V. Morasch, S. Fu, M. Höfer, M. Traub, H.-D. Hoffmann, Fraunhofer Institute for Laser Technology (Germany); R. Treichel, C. Wührer, P. Zeller, EADS Astrium GmbH (Germany)

SESSION 3 SPACE QUALIFIED AND STABILIZED LASERS II

- 6871 OD **The lunar orbiter laser altimeter (LOLA) laser transmitter** [6871-109]
A. W. Yu, A. M. Novo-Gradac, G. B. Shaw, G. Unger, L. A. Ramos-Izquierdo, NASA Goddard Space Flight Ctr. (USA); A. Lukemire, Space Power Electronics Inc. (USA)
- 6871 OE **Recent progress on single frequency lasers for space and high altitude aircraft applications** [6871-11]
F. E. Hovis, J. Edelman, T. Schum, J. Rudd, K. Andes, Fibertek, Inc. (USA)
- 6871 OF **Frequency stabilization of nanosecond deep-ultraviolet coherent light source with injection seeding** [6871-12]
T. Yamamoto, Y. Shiomi, H. Kumagai, A. Kobayashi, Osaka City Univ. (Japan)
- 6871 OG **Laser technology developments in support of ESA's Earth observation missions** [6871-110]
Y. Durand, J.-L. Bézy, R. Meynart, ESA-ESTEC (Netherlands)

SESSION 4 DISK LASERS I

- 6871 OH **Advanced pulsed thin disk laser sources (Best Student Oral Paper Award)** [6871-13]
C. Stolzenburg, A. Voss, T. Graf, Univ. Stuttgart (Germany); M. Larionov, Dausinger and Giesen GmbH (Germany); A. Giesen, German Aerospace Ctr. (DLR) (Germany)
- 6871 OI **Industrial application of high power disk lasers** [6871-14]
R. Brockmann, TRUMPF Laser GmbH and Co. KG (Germany); D. Havrilla, TRUMPF Inc. (USA)
- 6871 OJ **Scaling of thin disk pulse amplifiers** [6871-15]
J. Speiser, Univ. Stuttgart (Germany); A. Giesen, German Aerospace Ctr. (Germany)
- 6871 OK **Erbium-based gas-cooled disk laser** [6871-16]
J. Vetrovec, Aqwest, LLC (USA)

SESSION 5 DISK LASERS II

- 6871 OL **Current status and development trends of disk laser technology (Invited Paper)** [6871-17]
A. Killi, I. Zawischa, D. Sutter, J. Kleinbauer, S. Schad, J. Neuhaus, C. Schmitz, TRUMPF Laser GmbH and Co. KG (Germany)
- 6871 OM **Mode dynamics and thermal lens effects of thin-disk lasers** [6871-18]
J. Mende, J. Speiser, G. Spindler, W. L. Bohn, A. Giesen, German Aerospace Ctr. (Germany)
- 6871 ON **Rotary disk lasers in the UV, the visible, and the infrared** [6871-19]
S. Basu, Sparkle Optics Corp. (USA)

SESSION 6 SLAB LASERS

- 6871 OO **Concepts, features, and developments of slab laser oscillators and amplifiers (Invited Paper)** [6871-21]
K. Du, EdgeWave GmbH (Germany)

- 6871 OP **Circular output from a high power Nd:YLF slab laser** [6871-22]
J. I. Mackenzie, W. A. Clarkson, Univ. of Southampton (United Kingdom)
- 6871 OQ **Development of edge pumped Yb:YAG planar waveguide lasers** [6871-23]
H. J. Baker, J. F. Monjardin, I. Thomson, N. Trela, J. D. R. Valera, D. R. Hall, Heriot-Watt Univ. (United Kingdom)
- 6871 OR **High-power slab-based Tm:YLF laser for in-band pumping of Ho:YAG** [6871-24]
S. So, J. I. Mackenzie, D. P. Shepherd, W. A. Clarkson, Univ. of Southampton (United Kingdom)
- 6871 OS **Pulsed passively mode locked operation of diode pumped Nd:GdVO₄ and Nd:YVO₄ in a bounce geometry** [6871-25]
V. Kubeček, M. Drahoukoupil, H. Jelínková, Czech Technical Univ. (Czech Republic);
A. Stintz, J.-C. Diels, Univ. of New Mexico (USA) and Ctr. for High Technology Materials, Univ. of New Mexico (USA)

SESSION 7 BULK-FIBER HYBRID LASERS: JOINT SESSION WITH CONFERENCE 6873

- 6871 OT **Power scaling of fiber-based amplifiers seeded with microchip lasers (Invited Paper)** [6871-26]
P. E. Schrader, Sandia National Labs. (USA); J.-P. Fève, JDSU (USA); R. L. Farrow, D. A. V. Kliner, R. L. Schmitt, B. T. Do, Sandia National Labs. (USA)
- 6871 OV **Hybrid fiber MOPA-bulk amplifier system for frequency conversion** [6871-28]
A. N. Starodoumov, D. Dudley, S. McLean, A. Steinmetz, N. Hodgson, Coherent, Inc. (USA)
- 6871 OW **Impact of energy-transfer-upconversion on the performance of hybrid Er:YAG lasers** [6871-29]
J. W. Kim, J. K. Sahu, W. A. Clarkson, Univ. of Southampton (United Kingdom)
- 6871 OX **High-power laser with Nd:YAG single-crystal fiber grown by micro-pulling down technique** [6871-30]
D. Sangla, Lab. Charles Fabry de l'Institut d'Optique, Univ. Paris-Sud (France) and LPCML, Univ. Lyon I (France); N. Aubry, LPCML, Univ. Lyon I (France) and Fibercryst SAS (France); J. Didierjean, Lab. Charles Fabry de l'Institut d'Optique, Univ. Paris-Sud (France); D. Perrodin, Fibercryst SAS (France); F. Balembois, Lab. Charles Fabry de l'Institut d'Optique, Univ. Paris-Sud (France); K. Lebbou, A. Brenier, LPCML, Univ. Lyon I (France); P. Georges, Lab. Charles Fabry de l'Institut d'Optique, Univ. Paris-Sud (France); J. M. Fourmigue, Fibercryst SAS (France); O. Tillement, LPCML, Univ. Lyon I (France)
- 6871 OY **Hybrid bulk/fibre MOPA system based on Yb:KYW laser** [6871-31]
S. Kobtsev, S. Kukarin, Novosibirsk State Univ. (Russia)

SESSION 8 OPS LASERS AND VECSELS I

- 6871 0Z **High-performance optically pumped GaSb-based semiconductor disk lasers for the 2.X μ m wavelength range (Invited Paper)** [6871-32]
M. Rattunde, N. Schulz, B. Rösener, C. Manz, K. Köhler, J. Wagner, Fraunhofer-Institut für Angewandte Festkörperphysik (Germany); J.-M. Hopkins, D. Burns, Univ. of Strathclyde (United Kingdom)
- 6871 10 **VECSEL subcavity design and optimization for targeted wavelengths** [6871-33]
H. Li, College of Optical Sciences, Univ. of Arizona (USA); J. Hader, J. V. Moloney, College of Optical Sciences, Univ. of Arizona (USA) and Nonlinear Control Strategies (USA); S. W. Koch, Univ. of Marburg (Germany)
- 6871 11 **Interfacial misfit dislocation array based growth of III-Sb active regions on GaAs/AlGaAs DBRs for high-power 2 μ m VECSELS** [6871-34]
G. Balakrishnan, T. J. Rotter, Univ. of California, Los Angeles (USA); A. Jallipalli, L. R. Dawson, Ctr. for High Technology Materials, Univ. of New Mexico (USA); D. L. Huffaker, Univ. of California Los Angeles (USA) and Ctr. for High Technology Materials, Univ. of New Mexico (USA)
- 6871 12 **Single-frequency tunable VECSEL around the cesium D₂ line** [6871-35]
B. Cocquelin, G. Lucas-Leclin, P. Georges, Lab. Charles Fabry de l'Institut d'Optique, Univ. Paris Sud (France); I. Sagnes, Lab. de Photonique et de Nanostructures (France); A. Garnache, Institut d'Électronique du Sud, (France)

SESSION 9 OPS LASERS AND VECSELS II

- 6871 13 **Quantum design of active semiconductor materials for targeted wavelengths: a predictive design tool for edge emitters and OPSLs** [6871-36]
J. V. Moloney, J. Hader, Nonlinear Control Strategies (USA) and College of Optical Sciences, Univ. of Arizona (USA); S. W. Koch, Univ. of Marburg (Germany)
- 6871 15 **Comparison of thermal management techniques for semiconductor disk lasers** [6871-38]
S. Giet, A. J. Kemp, D. Burns, S. Calvez, M. D. Dawson, Univ. of Strathclyde (United Kingdom); S. Suomalainen, A. Harkonen, M. Guina, O. Okhotnikov, M. Pessa, Tampere Univ. of Technology (Finland)
- 6871 16 **Ultrashort pulse Ti:sapphire oscillators pumped by optically pumped semiconductor (OPS) pump lasers** [6871-39]
B. Resan, E. Coadou, S. Petersen, A. Thomas, P. Walther, R. Viselga, J.-M. Heritier, J. Chilla, W. Tulloch, A. Fry, Coherent, Inc. (USA)

SESSION 10 OPS LASERS AND VECSELS III

- 6871 17 **Green laser modules to fit laser projection out of your pocket (Invited Paper)** [6871-40]
U. Steegmüller, M. Kühnelt, H. Unold, T. Schwarz, R. Schulz, S. Illek, I. Pietzonka, H. Lindberg, M. Schmitt, U. Strauss, OSRAM Opto Semiconductors GmbH (Germany)

- 6871 18 **1 W 488 nm cw air cooled optically pumped semiconductor laser** [6871-41]
V. Ostroumov, C. Simon, H. Schwarze, R. von Elm, W. Seelert, Coherent GmbH (Germany);
J. Lindfors, Coherent Finland (Finland)
- 6871 19 **Highly strained InGaAs/GaAs vertical-external-cavity surface-emitting laser for the generation of coherent yellow-orange light (Invited Paper)** [6871-42]
L. Fan, C. Hessenius, M. Fallahi, J. Hader, H. Li, J. V. Moloney, College of Optical Sciences,
Univ. of Arizona (USA); W. Stolz, S. W. Koch, Philipps Univ. Marburg (Germany)
- 6871 1A **1-W red light generation by intracavity doubling in a 1240 nm GaInNAs semiconductor disk laser** [6871-43]
J. Rautiainen, A. Härkönen, Tampere Univ. of Technology (Finland); P. Tuomisto,
J. Konttinen, EpiCrystals, Inc. (Finland); L. Orsila, M. Guina, O. G. Okhotnikov, Tampere Univ.
of Technology (Finland)

SESSION 11 AMPLIFIERS

- 6871 1B **80 W ultrafast CPA-free disk laser (Invited Paper)** [6871-44]
J. Kleinbauer, D. Eckert, S. Weiler, D. H. Sutter, TRUMPF Laser GmbH & Co. KG (Germany)
- 6871 1C **Ultrafast Yb:KYW regenerative amplifier with combined gain spectra of the optical axes Nm and Np** [6871-45]
U. Buenting, P. Wessels, H. Sayinc, O. Prochnow, D. Wandt, D. Kracht, Laser Zentrum
Hannover e.V. (Germany)
- 6871 1D **High average power Nd:YVO based pico-second regenerative amplifier** [6871-46]
D. A. Clubleby, A. S. Bell, G. Friel, Coherent Inc. (United Kingdom)

SESSION 12 CERAMIC MATERIALS

- 6871 1G **The synthesis and properties of rare earth doped yttria and scandia for eye-safe single crystal and ceramic lasers (Invited Paper)** [6871-50]
J. Ballato, C. McMillen, B. Kokuoz, K. Serivalsatit, B. Kokuoz, J. Kolis, Clemson Univ. (USA)
- 6871 1I **Design of transverse Nd doping profiles in transparent YAG ceramics for edge-pumped laser geometries (Best Student Oral Paper Award)** [6871-102]
J. A. Wisdom, R. Gaume, R. Route, Stanford Univ. (USA); Y. L. Aung, A. Ikesue, World-Lab
Co., Ltd. (Japan); R. L. Byer, Stanford Univ. (USA)

SESSION 13 VISIBLE AND UV GENERATION: JOINT SESSION WITH CONFERENCE 6875

- 6871 1K **1 W of 261 nm cw generation in a Pr³⁺:LiYF₄ laser pumped by an optically pumped semiconductor laser at 479 nm** [6871-52]
V. Ostroumov, W. Seelert, Coherent GmbH (Germany)

- 6871 1L **Fiber amplified and frequency doubled diode lasers as a highly flexible pulse source at 532nm** [6871-53]
K. Lauritsen, S. Riecke, M. Langkopf, D. Klemme, PicoQuant GmbH (Germany);
C. M. Kaleva, C. Pallassis, S. McNeil, AdvR, Inc. (USA); R. Erdmann, PicoQuant GmbH (Germany)
- 6871 1M **Continuous wave single longitudinal mode SHG with two stages of intra-cavity power enhancement at fundamental frequency** [6871-54]
F. Karpushko, KLASTECH, Karpushko Laser Technologies GmbH (Germany)

SESSION 14 VISIBLE AND UV LASERS

- 6871 1N **High-power gain-enhanced internally frequency-converted Q-switched Nd:YAG lasers (Invited Paper)** [6871-55]
L. A. Eyres, J. J. Morehead, J. Gregg, S. Gomes, JDS Uniphase Corp. (USA)
- 6871 1O **Intracavity pumped Yb:SFAP crystal emitting at 985 nm and second harmonic generation** [6871-56]
M. Castaing, Lab. Charles Fabry de l'Institut d'Optique, Univ. Paris-Sud (France) and Oxixus S.A. (France); F. Balembos, P. Georges, Lab. Charles Fabry de l'Institut d'Optique, Univ. Paris-Sud (France); T. Georges, Oxixus S.A. (France); K. Schaffers, J. Tassano, Lawrence Livermore National Lab. (USA)
- 6871 1P **Diode pumping of Nd:ASL and its frequency doubling for blue emission around 450 nm** [6871-57]
D. Paboeuf, G. Lucas-Leclin, P. Georges, Lab. Charles Fabry de l'Institut d'Optique, Univ. Paris-Sud (France); B. Sumpf, G. Erbert, Ferdinand Braun Institut für Höchstfrequenztechnik (Germany); C. Varona, P. Loiseau, G. Aka, Lab. de Chimie de la Matière Condensée de Paris, Ecole Nationale Supérieure de Chimie de Paris (France); B. Ferrand, Lab. de Cristallogénèse Appliquée, CEA - LETI (France)
- 6871 1Q **A diode-pumped Rb laser at 398 nm** [6871-58]
A. B. Petersen, R. J. Lane, Spectra Physics, a Division of Newport Corp. (USA)
- 6871 1S **Narrow linewidth ring laser with frequency doubling for titanium:sapphire and dye operation** [6871-112]
S. Hädrich, P. Jauernik, Sirah Laser- und Plasmatechnik GmbH (Germany); L. McCrumb, P. Feru, Spectra Physics, a Division of Newport Corp. (USA)

SESSION 15 MID-INFRARED LASERS I

- 6871 1T **Mid-infrared tunable laser based on the Cr:ZnSe active crystal** [6871-59]
P. Koranda, H. Jelínková, M. Němec, J. Šulc, Czech Technical Univ. (Czech Republic);
M. E. Doroshenko, T. T. Basiev, General Physics Institute (Russia); V. K. Komar,
A. S. Gerasimenko, V. M. Puzikov, Institute for Single Crystals (Ukraine); V. V. Badikov,
D. V. Badikov, Kuban State Univ. (Russia)

- 6871 1V **Tunable lasers based on diode pumped Tm-doped vanadates Tm:YVO₄, Tm:GdVO₄, and Tm:LuVO₄** [6871-93]
J. Šulc, P. Koranda, P. Černý, H. Jelínková, Czech Technical Univ. (Czech Republic);
Y. Urata, Megaopto Co., Ltd. (Japan); M. Higuchi, Hokkaido Univ. (Japan);
W. Ryba-Romanowski, R. Lisiecki, P. Solarz, G. Dominiak-Dzik, Institute of Low Temperature and Structure Research (Poland); M. Sobczyk, Univ. of Wrocław (Poland)

SESSION 16 MID-IR INFRARED LASERS II

- 6871 1X **High-power tunable external cavity quantum cascade laser in the 5–11 micron regime (Invited Paper)** [6871-63]
M. Pushkarsky, M. Weida, T. Day, D. Arnone, R. Pritchett, D. Caffey, S. Crivello, Daylight Solutions, Inc. (USA)

SESSION 17 APPLICATIONS OF SOLID STATE LASERS I

- 6871 21 **High-speed micromachining with high-power picosecond ultraviolet lasers (Invited Paper)** [6871-65]
R. Knappe, A. Nebel, Lumera Laser GmbH (Germany)
- 6871 22 **Picosecond laser micromachining of advanced semiconductor logic devices** [6871-66]
J. A. Albelo, P. Y. Pirogovsky, J. N. O'Brien, B. W. Baird, Electro Scientific Industries (USA)
- 6871 23 **High power UV q-switched and mode-locked laser comparisons for industrial processing applications** [6871-67]
M. Kauf, R. Patel, J. Bovatsek, W. Gries, Newport Corp., Spectra Physics Division (USA)
- 6871 24 **Glass processing using q-switched ns INNOSLAB lasers** [6871-68]
K. Du, P. Shi, EdgeWave GmbH (Germany)
- 6871 26 **Advanced Q-switched DPSS lasers for ID-card marking** [6871-70]
M. Hertwig, M. Paster, R. Terbrueggen, Coherent GmbH (Germany)

SESSION 18 APPLICATIONS OF SOLID STATE LASERS II

- 6871 28 **Nonlinear excitation fluorescence microscopy: source considerations for biological applications (Invited Paper)** [6871-72]
D. L. Wokosin, Northwestern Univ. (USA)
- 6871 29 **Solid state laser applications in photovoltaics manufacturing** [6871-73]
C. Dunskey, F. Colville, Coherent, Inc. (USA)
- 6871 2A **Tandem photonic amplifier employing a pulsed master oscillator fiber power amplifier with programmable temporal pulse shape capability** [6871-74]
B. W. Baird, X. Peng, W. Ren, D. M. Hemenway, L. Xu, Electro Scientific Industries, Inc. (USA);
P. Deladurantaye, Y. Taillon, Institut National d'Optique (Canada)

- 6871 2B **Optics performance at high-power levels** [6871-75]
O. Blomster, M. Pålsson, S.-O. Roos, M. Blomqvist, Optoskand AB (Sweden); F. Abt, F. Dausinger, Forschungsgesellschaft für Strahlwerkzeuge mbH (Germany); C. Deininger, Technologiegesellschaft für Strahlwerkzeuge mbH (Germany); M. Huonker, TRUMPF Laser GmbH and Co. KG (Germany)
- 6871 2C **Advances in fiber delivery of ultrashort pulses at 800 nm** [6871-76]
T. Le, M. Hofer, Z. Cheng, A. Stingl, Femtolasers Produktions GmbH (Austria); J. Darmo, D. P. Kelly, K. Unterrainer, Vienna Univ. of Technology (Austria)

POSTER SESSION

- 6871 2D **Solid state saturable absorbers for Q-switching at 1 and 1.3 μm : investigation and modeling** [6871-83]
J. Šulc, P. Arátor, H. Jelínková, Czech Technical Univ. (Czech Republic); K. Nejezchleb, V. Škoda, Crytur Ltd. (Czech Republic); M. R. Kokta, Saint-Gobain Crystals (USA)
- 6871 2E **Big solar furnace as pumping source for high power lasers** [6871-82]
Sh. Payziyev, S. Bakhramov, Sh. Klichev, A. Kasimov, Scientific and Production Association Academprigor (Uzbekistan); T. Riskiev, A. Abdurakhmanov, A. Fazilov, Scientific and Production Association Physics-Sun (Uzbekistan)
- 6871 2F **Power scaling and optimum crystal orientation in continuous-wave diode-pumped Yb:KLu (WO₄)₂ lasers** [6871-81]
J. Liu, Qingdao Univ. (China); V. Petrov, Max-Born-Institute for Nonlinear Optics and Ultrafast Spectroscopy (Germany); X. Mateos, Univ. Rovira i Virgili (Spain); H. Zhang, J. Wang, Shandong Univ. (China)
- 6871 2G **Ceramic Nd³⁺:Cr³⁺:YAG laser pumped by high-power concentrated solar flux** [6871-79]
Sh. Payziyev, S. Bakhramov, Scientific and Production Association Academprigor (Uzbekistan); H. Yagi, Konoshima Chemical Co., Ltd. (Japan); A. Abdurakhmanov, A. Fazilov, Scientific and Production Association Physics-Sun (Uzbekistan)
- 6871 2H **Long-term frequency stabilisation of a CW single-frequency laser using a high-precision wavelength meter** [6871-97]
S. Kobtsev, Novosibirsk State Univ. (Russia) and Tekhnoscan Joint-Stock Co. (Russia); S. Kandrushin, Tekhnoscan Joint-Stock Co. (Russia); A. Potekhin, Novosibirsk State Univ. (Russia)
- 6871 2I **Output characteristics of a passively Q-switched diode-laser pumped ceramic Nd:YAG laser** [6871-77]
D.-L. Kim, B.-S. Lee, H.-S. Yoo, J.-Y. Jeong, Y.-S. Kim, Dankook Univ. (South Korea)
- 6871 2J **High-peak-power diode-pumped actively Q-switched Nd:YAG intracavity Raman laser with an undoped YVO₄ crystal** [6871-95]
K. W. Su, Y. T. Chang, Y. F. Chen, National Chiao Tung Univ. (Taiwan)
- 6871 2K **AlGaInAs quantum-well 1.3- μm laser by a diode-pumped actively Q-switched Nd:GdVO₄ laser** [6871-94]
S. C. Huang, K. W. Su, A. Li, S. C. Liu, Y. F. Chen, K. F. Huang, National Chiao Tung Univ. (Taiwan)

- 6871 2L **High-power Kerr-lens mode-locked ytterbium lasers** [6871-96]
F. M. Bain, A. A. Lagatsky, C. T. A. Brown, W. Sibbett, Univ. of St. Andrews (United Kingdom)
- 6871 2M **High-peak-power flashlamp-pumped passively Q-switched Nd:YAG laser with AlGaInAs quantum wells as a saturable absorber** [6871-92]
H. C. Liang, J. Y. Huang, S. C. Huang, K. W. Su, Y. F. Chen, K. F. Huang, National Chiao Tung Univ. (Taiwan)
- 6871 2N **Diode-pumped Tm:YAP laser for eye microsurgery** [6871-91]
H. Jelínková, P. Koranda, J. Šulc, M. Němec, P. Černý, Czech Technical Univ. (Czech Republic); J. Pašta, Central Military Hospital (Czech Republic)
- 6871 2O **Ultrashort lasers: identifying the "perfect" pulse (Best Student Poster Paper Award)** [6871-86]
D. A. Bender, M. Sheik-Bahae, The Univ. of New Mexico (USA)
- 6871 2P **A tunable pulsed forsterite laser operating at room temperature** [6871-85]
F. F. Wu, MetroLaser Inc. (USA)
- 6871 2Q **A new compact laser source for portable LIBS applications** [6871-84]
J. Goujon, O. Musset, Univ. de Bourgogne (France); A. Giakoumaki, V. Pinon, D. Anglos, Foundation for Research and Technology Hellas (Greece); E. Georgiou, Technological Educational Institute of Crete (Greece)
- 6871 2R **Room-temperature mid-infrared Cr²⁺:ZnSe and Cr²⁺:ZnS random powder lasers** [6871-88]
C. Kim, D. V. Martyshkin, V. V. Fedorov, S. B. Mirov, Univ. of Alabama at Birmingham (USA)
- 6871 2S **Q-switched laser operation of Yb-doped NaGd(WO₄)₂ and NaY(WO₄)₂ crystals** [6871-80]
J. Liu, Qingdao Univ. (China); V. Petrov, Max-Born-Institute for Nonlinear Optics and Ultrafast Spectroscopy (Germany); H. Zhang, J. Wang, M. Jiang, Shandong Univ. (China)
- 6871 2T **Iron doped Cd_xMn_{1-x}Te crystals: new gain media for mid-IR room temperature lasers** [6871-87]
W. Mallory, V. V. Fedorov, S. B. Mirov, Univ. of Alabama at Birmingham (USA); U. Hömmerich, Hampton Univ. (USA); W. Palosz, S. B. Trivedi, Brimrose Corp. of America (USA)
- 6871 2U **Two-stage concentrating systems for pumping of solar lasers** [6871-78]
Sh. Klichev, S. Bakhramov, Scientific and Production Association Academprigor (Uzbekistan); A. Abdurakhmanov, A. Fazilov, Scientific and Production Association Physics-Sun (Uzbekistan); Sh. Payziyev, A. Ismanjanov, K. Bokoev, J. Dudko, Z. Klichev, Scientific and Production Association Academprigor (Uzbekistan)
- 6871 2V **Generalized phase synchronization in unidirectionally coupled LD pumped Nd:YAG lasers** [6871-90]
D.-S. Lee, G.-H. Kim, S. Y. Lee, SOI-KOREA Ctr., KERI (South Korea); C.-M. Kim, Sogang Univ. (South Korea)

Author Index

Conference Committee

Symposium Chairs

Henry Helvajian, The Aerospace Corporation (USA)
Friedrich G. Bachmann, Rofin-Sinar Laser GmbH (Germany)

Symposium Cochairs

Peter R. Herman, University of Toronto (Canada)
Donald J. Harter, IMRA America, Inc. (USA)

Program Track Chair

Gregory J. Quarles, VLOC (USA)

Conference Chairs

W. Andrew Clarkson, University of Southampton (United Kingdom)
Norman Hodgson, Coherent, Inc. (USA)
Ramesh K. Shori, Naval Air Warfare Center (USA)

Program Committee

Martin D. Dawson, University of Strathclyde (United Kingdom)
Patrick M. Georges, Institut d'Optique (France)
Adolf Giesen, Deutsches Zentrum für Luft- und Raumfahrt e.V.
(Germany)
William M. Grossman, JDS Uniphase Corporation (USA)
Hanna J. Hoffman, Electro Optics Organization, Inc. (USA)
Hans-Dieter Hoffmann, Fraunhofer-Institut für Lasertechnik (Germany)
Günter Huber, Universität Hamburg (Germany)
Helena Jelínková, Czech Technical University in Prague (Czech
Republic)
Jacob I. Mackenzie, University of Southampton (United Kingdom)
Iain T. McKinnie, Lockheed Martin Coherent Technologies (USA)
Jerome V. Moloney, The University of Arizona (USA)
Alan B. Petersen, Spectra-Physics, a Division of Newport Corporation (USA)
Stephen G. Post, Air Force Research Laboratory (USA)
Narasimha S. Prasad, NASA Langley Research Center (USA)
Wolf R. Seelert, Coherent Lübeck GmbH (Germany)
David H. Titterton, Defence Science and Technology Laboratory
(United Kingdom)
Alessandra Toncelli, Università degli Studi di Pisa (Italy)

Session Chairs

- 1 Q-switched Lasers
Helena Jelínková, Czech Technical University in Prague
(Czech Republic)
- 2 Space Qualified and Stabilized Lasers I
Ramesh K. Shori, Naval Air Warfare Center (USA)
- 3 Space Qualified and Stabilized Lasers II
Narasimha S. Prasad, NASA Langley Research Center (USA)
- 4 Disk Lasers I
Alan B. Petersen, Spectra-Physics, a Division of Newport Corporation
(USA)
- 5 Disk Lasers II
Hans-Dieter Hoffmann, Fraunhofer-Institut für Lasertechnik (Germany)
- 6 Slab Lasers
Hanna J. Hoffman, Electro Optics Organization, Inc. (USA)
- 7 Bulk-Fiber Hybrid Lasers: Joint Session with Conference 6873
Norman Hodgson, Coherent, Inc. (USA)
Dahv A. V. Kliner, Sandia National Laboratories (USA)
- 8 OPS Lasers and VECSELS I
Adolf Giesen, Deutsches Zentrum für Luft- und Raumfahrt e.V.
(Germany)
- 9 OPS Lasers and VECSELS II
W. Andrew Clarkson, University of Southampton (United Kingdom)
- 10 OPS Lasers and VECSELS III
William M. Grossman, JDS Uniphase Corporation (USA)
- 11 Amplifiers
Alan B. Petersen, Spectra-Physics, a Division of Newport Corporation
(USA)
- 12 Ceramic Materials
Iain T. McKinnie, Lockheed Martin Coherent Technologies (USA)
- 13 Visible and UV Generation: Joint Session with Conference 6875
W. Andrew Clarkson, University of Southampton (United Kingdom)

- 14 Visible and UV Lasers
Norman Hodgson, Coherent, Inc. (USA)
- 15 Mid-Infrared Lasers I
David H. Titterton, Defence Science and Technology Laboratory
(United Kingdom)
- 16 Mid-Infrared Lasers II
Ramesh K. Shori, Naval Air Warfare Center (USA)
- 17 Applications of Solid State Lasers I
William M. Grossman, JDS Uniphase Corporation (USA)
- 18 Applications of Solid State Lasers II
Wolf R. Seelert, Coherent Lübeck GmbH (Germany)

The Long Journey from Idea to Industrial Success

Holger Schlüter

TRUMPF Inc., Farmington Industrial Park, Farmington, CT 06032, USA

ABSTRACT

It is astonishing how long it can take from the first idea to the industrial success of a laser technology product. Three laser technologies in which TRUMPF participated will be investigated from conception to realization. The first case study focuses on the diffusion cooled coaxial CO₂ laser geometry with diffraction limited resonators. The second case study highlights some of the stages along the very successful route to implementation of the thin disk laser; from the conception at the IFSW¹ and the ITP², both in Stuttgart, to the successful industrial installations in automotive applications. Finally the development of high power diodes for diode pumped solid state lasers is also discussed.

Keywords: CO₂ laser, diffusion cooled laser, diode pumped solid state laser, thin disk laser, high power diode laser

1. INTRODUCTION

The market for high power lasers in industrial material processing has grown to \$2.3 bn in 2007 according to [1]. Three types of lasers make up the bulk of these beam source revenues: CO₂ lasers, excimer lasers and solid state lasers (see Figure 2). Excimer lasers are used mainly for micro machining and photolithography applications. The major market for either diffusion cooled or fast-flow multi-kW CO₂ lasers is the sheet metal cutting industry. Diode pumped solid state lasers (DPSSL) are commercially available with the laser medium in the form of a fiber (often called fiber lasers) or in the form of a disk (often called thin disk lasers), a rod or a slab. Thin disk and fiber laser dominate the market place for multi-kW DPSSL.

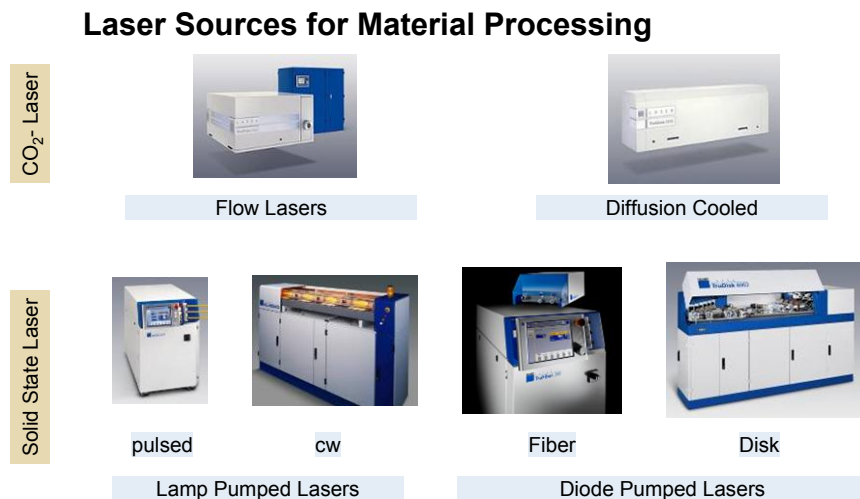


Figure 1: Laser beam sources for material processing in use today. This overview excludes excimer lasers – they are used in micromachining and photolithography applications. Diffusion cooled and fast flow CO₂ lasers dominate the market for sheet metal cutting. Most solid state lasers for material processing are fiber delivered, such as thin disk and fiber lasers. This paper will focus on the diffusion cooled CO₂ laser with coaxial discharge and helix resonator, the diode-pumped solid-state thin disk laser as well as the high power diode lasers used to pump solid-state lasers.

¹ Institut fuer Strahlwerkzeuge at the University of Stuttgart

² Institute of Technical Physics at the German Aerospace Center (DLR)

Lamp pumped solid state lasers (LPSSL) remain in second place of the revenue ranking. Most likely DPSSL will replace many LPSSL because of the great advantages these systems have.

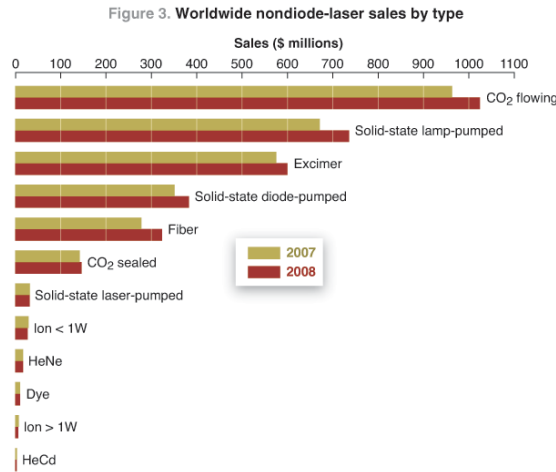


Figure 2: Worldwide nondiode-laser sales by type [1]. The product segment fast flow CO₂ laser is still by far the largest segment, followed by lamp-pumped solid state lasers.

TRUMPF is the leading supplier of DPSSL as well as CO₂ lasers in the industrial market place. Therefore it is interesting to investigate how long it takes a laser manufacturer like TRUMPF to transform an idea into an industrial solution that is accepted in the market. We will take three relevant examples in order to show that this process can take 10 to 15 years. The three technologies that will be investigated are diffusion cooled multi-kW CO₂ lasers with an annular discharge region and a high beam quality resonator for annular laser media (“The helix resonator”), the thin disk laser technology that has revolutionized multi-kW DPSSL as well as high power diode laser arrays.

2. THE HELIX RESONATOR

High Power CO₂ lasers are successfully used in sheet metal fabrication since the early 1980’s. Many of today’s multi-kW CO₂ lasers are RF excited and are operated recirculating the gas in order to convectively remove the excess heat from the discharge region (this is called flowing gas operation). Today flowing gas operation can be achieved very cost effectively and efficiently with modern turbo-blowers that utilize actively controlled magnetic bearings.

In the early 1990’s a new idea – RF excited diffusion cooled laser systems emerged. In a multi-kW RF excited diffusion cooled laser system the laser discharge is operated between two water cooled large area electrodes. It can be shown that the output power P of such a system follows the following scaling law:

$$P = C \cdot \frac{A}{d} \tag{1}$$

with A: surface area of the electrodes, d: gap width between the electrodes, C: invariant scaling factor.

This shows the @-D scaling advantage of this technology as well as the great potential using reduced electrode spacing to produce high power from very compact laser devices. However, the losses generated during the optical propagation of the laser beam between the electrodes set a lower limit to the gap width. It typically varies between 2-6 mm depending on the optical design of the laser. An empirically [2] found value for the invariant scaling factor is:

$$C = 40 \left[\frac{kW \cdot mm}{m^2} \right] \tag{2}$$

Therefore at a gap width of 2-6 mm an electrode area of 500-1500 cm² is necessary for kW operation.

There are two different options to achieve such a large electrode area:

1. Build a symmetric cross-section for the laser radiation by setting the electrode width equal to the gap width and making the electrode very long. In this case gap width and electrode width cancel each other out:

$$\frac{P}{l} = 40 \left[\frac{W}{m} \right] \quad (3)$$

2. Make the electrode width much larger than the gap width. This allows for short and compact RF excited diffusion cooled multi-kW lasers.

The first approach would require a resonator length of 25 m for 1 kW of output power. While folded resonators allow building very long resonators in a very compact manner, this is a difficult length to manage. Currently commercially available RF excited diffusion cooled lasers built using the first approach have a maximum output power of 400 Watts [3], [4].³

For the second option, there are two possible geometries to achieve a large electrode surface area:

1. The slab geometry – two slab like electrodes define a rectangular discharge area with $A = w \cdot l$ where w is the width of the electrode and l the length of the electrode⁴.
2. The coaxial geometry – two tube like electrodes coaxially arranged define an annular discharge area with $A = \pi D \cdot l$ where D is the center diameter between the inner and the outer electrodes and l the length of the electrodes.

The main advantage of an RF excited multi-kW diffusion cooled CO₂ laser over a fast flow laser is the absence of a gas recirculation system. However, this advantage comes at a price: The very high aspect ratio of the discharge width (w or πD) to gap width d requires novel types of laser resonators. The classical stable resonator only works in symmetric or at least nearly symmetric cross-sections. One of the major difficulties is to conceive a laser resonator that achieves nearly diffraction limited operation not only in the small direction of the aperture, but also in the wide direction of the aperture⁵. It turns out that so called unstable resonators are very suited to achieve diffraction limited operation in the wide direction of an aperture [9]. Such an unstable resonator needs to be combined with a stable resonator in the small direction of the aperture.

³ At least one manufacturer offers a 2 kW laser without gas recirculation [5] that is built with a symmetric beam cross section. However, the laser is not RF excited; instead a DC discharge is established between an anode and a cathode inside a hermetically sealed quartz tube (very much like the discharge in a fluorescent light bulb). Such DC excited lasers are excluded from this discussion.

⁴ It would be more correct to speak of length, width and center diameter of the discharge region – however in most cases those values are close enough to the actual electrode geometry, so for simplification the electrode geometry is referenced.

⁵ Wide and small directions of the aperture are more exactly defined by the Fresnel number (F) of the resonator, factorized into the two directions x and y or r and θ . It is defined:

$$F = F_x \cdot F_y = \frac{w/2}{\sqrt{\lambda \cdot l}} \cdot \frac{d/2}{\sqrt{\lambda \cdot l}} \text{ for slab geometries and } F = F_r \cdot F_\theta = \frac{d/2}{\sqrt{\lambda \cdot l}} \cdot \frac{\pi D/2}{\sqrt{\lambda \cdot l}} \text{ for coaxial geometries, with}$$

λ : Laser wavelength (typ. 10.6 μm), d : gap width, w : width of the discharge (slab), D : center diameter annular discharge (coaxial) and l : length of the discharge / electrodes.

In the y resp. r direction (“the small direction of the aperture”) diffusion cooled lasers have a Fresnel number close to 1, so they operate diffraction limited with a stable resonator in this direction. In the x resp. θ direction (“the large direction of the aperture”) multi-kW lasers have a Fresnel number on the order of 100 or more, making a different approach - for instance unstable resonators - for diffraction limited operation necessary.

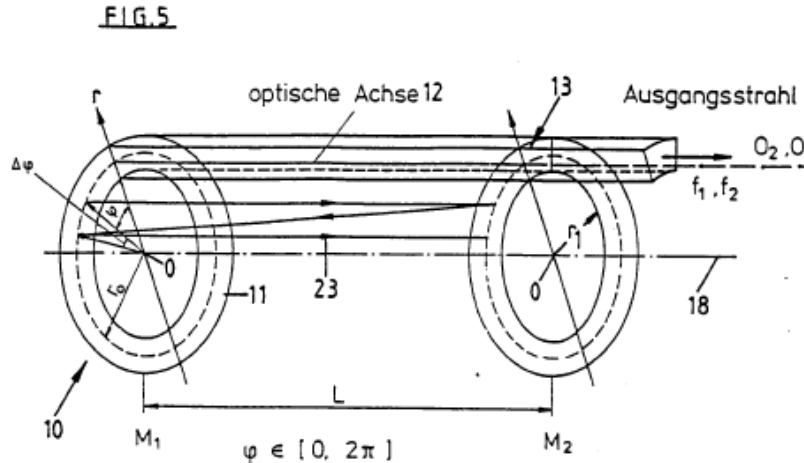


Figure 3: Drawing from DE 4123024 [10]– the original patent on the Helix-Coax resonator, filed by the Fraunhofer Gesellschaft fuer angewandte Forschung e.V., Munich. As inventors are named: Keming Du, Peter Loosen and Uwe Habich.

For the slab geometry a suitable resonator type combining an unstable with a stable resonator is the negative branch unstable hybrid resonator as patented by Tulip in 1988 [8]. Many commercial slab laser products are based on this resonator [6].

The idea for a resonator achieving a similar combination of an unstable resonator with a stable resonator for coaxial discharges was proposed at the Fraunhofer Institut Lasertechnik in Aachen, Germany (ILT) and patented in 1992 [10]. In this case the small direction (gap width) of the aperture is in the radial direction of the coaxial geometry, while the large direction of the aperture is in the azimuthal direction.

The resonator that was proposed is called helix resonator, since it makes use of a helical slope on an annular mirror in order to achieve an unstable resonator in the azimuthal direction. For more details on the helix resonator see [11].

Figure 3 shows the main figure of the first patent of the helix resonator. Inventors are Keming Du, Peter Loosen and Uwe Habich, all of the ILT in 1992. It took until 2005 for this idea to turn into a commercially successful product. This journey will be sketched in the following few paragraphs.

A first prototype of a RF excited diffusion cooled CO₂ laser with coaxial discharge geometry (short: coax laser) was completed in 1993. This prototype is shown in Figure 4. The prototype consists of the discharge and mirror assembly as well as a beam shaping telescope. The beam shaping telescope reformats the beam to be rotational symmetric in space and divergence angle. The service cabinet below the laser holds the water distribution system and auxiliary equipment. The helix resonator requires sophisticated mirror manufacturing technology that was not available at that time. Therefore a simple trick was used to mimic the helix resonator: A toric annular mirror was tilted, which creates two sloped sections in reference to the plane perpendicular to the optical axis. This toric resonator is very similar to the helix resonator; however, two separate beams exit the laser.

The prototype with the toric resonator produced an output power of 1100 Watts at a discharge length of $l = 1$ m, a central discharge diameter of $D = 52$ mm and a gap width of 6 mm. It took until 1996 to develop helix mirrors and beam shaping optics for the laser, but in 1997 it could be shown that the power of the helix resonator in this laser was 1000 Watts and the beam quality of the formatted beam was nearly diffraction limited. This is equivalent to a scaling constant of 40 kW mm / m². TRUMPF was funding these efforts at ILT with the intention to keep in touch with diffusion cooled technology. In 1996 TRUMPF decided to use this technology in order to quickly develop and build a laser for a special customer.

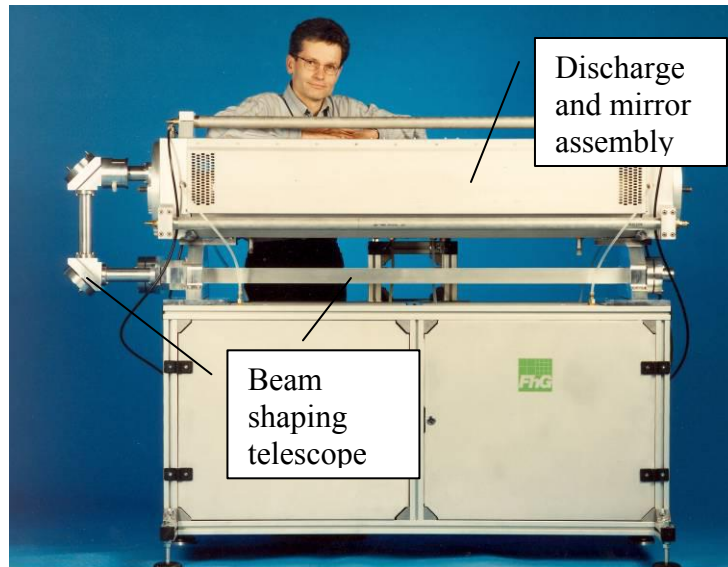


Figure 4: The first RF excited coaxial diffusion cooled laser with Helix resonator. This device was built at the Fraunhofer Insitut Lasertechnik in 1993.

Figure 5 shows the first generation of heart lasers sold by PLC of Franklin, MA and which cardiac surgeons use to perform CO₂ transmyocardial revascularization (TMR) to alleviate symptoms of severe angina. Until 1996 TRUMPF sold about 70 fast axial flow CO₂ lasers to PLC for use in their product. However, the axial blower had some severe downsides for this particular application, including size, noise and start-up time.

Therefore PLC asked TRUMPF to develop a diffusion cooled version and TRUMPF saw a chance to quickly provide PLC with a solution based on the “almost production ready” prototype of the coax laser.

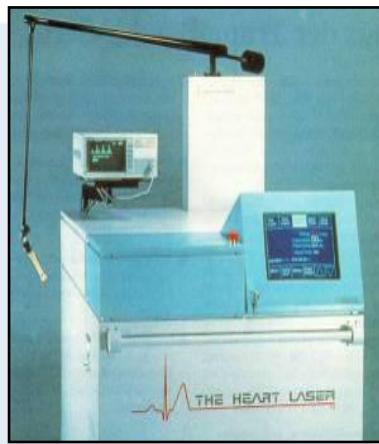


Figure 5: The Heart Laser – this laser system was sold by PLC, MA and contained a fast axial flow laser from TRUMPF. TRUMPF was asked to develop a diffusion cooled CO₂ laser to replace the fast axial flow laser in 1996.

This would also allow TRUMPF to develop a diffusion cooled laser product for use in other applications and complete its CO₂ laser product line. In addition it was planned to use this product to establish a high power development group at the TRUMPF subsidiary in Farmington, CT. TRUMPF Inc. in Farmington, CT was already building and assembling fast-axial flow lasers for the North American market, including all lasers for PLC. However these lasers were built according to drawings provided by TRUMPF, Germany. The new product provided the opportunity to train a product development team in Germany and then transfer a core team together with laser knowledge to TRUMPF Inc. in order to establish full laser R&D capability and complete the already existing production, sales, service and application departments.

Figure 6 shows the first coax laser design built by the newly established product development group at TRUMPF in Ditzingen, Germany. It was based on the geometry of the first coax laser at the ILT. However, the outer electrode was chosen to be grounded, while the inner electrode was connected to the RF power supply. This allowed the outer electrode to provide the RF shielding as well as the resonator support structure. This in turn allowed a more compact setup than the first prototype at the ILT. The laser was first assembled in 1997 and provided with $l = 1000$ mm, $D = 55$ mm and $d = 6$ mm also 1000 Watt. Again the scaling factor was close to the maximum value at $40 \text{ kW mm} / \text{m}^2$.

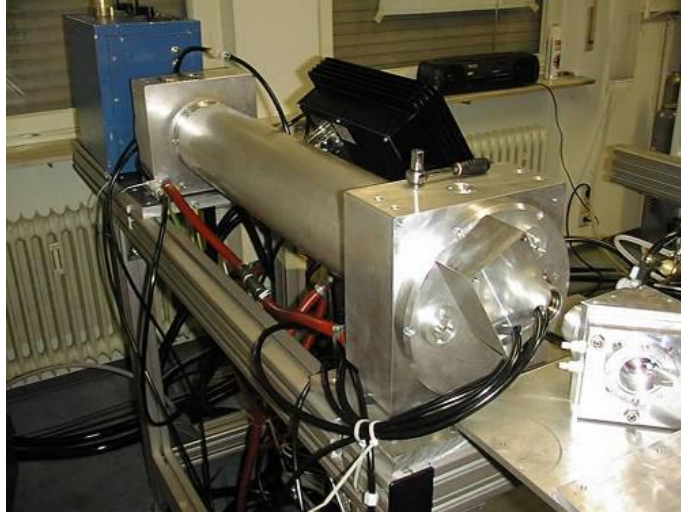


Figure 6: First Coax laser at TRUMPF. This system had a similar geometry as the system at the ILT. However, by combining the resonator support structure and the RF shielding in the outer electrode it became possible to build the system more compact than the first prototype. This laser also had diffraction limited laser output at a power level of about 1000 Watt.

After detailed analysis of the laser it became clear that the laser output power was very unstable, the wavelength of the laser would unpredictably change and the mirrors were very sensitive to misalignment. The team was able to link this behavior to the helix resonator and developed a modified version, the so called helix-axicon resonator. A patent was filed [12] and a new laser based on the helix-axicon resonator was designed and built.

Figure 7 compares the helix resonator and the helix-axicon resonator geometries. The helix resonator consists of a toroidal rear mirror and an annular helix mirror with a helical slope in the azimuthal direction. This slope forces the beam on an azimuthal path and any photon along this path will eventually leave the resonator through an aperture in the form of an annular section. This resonator setup is very sensitive to misalignment and not very stable. A new design replaced the toroidal rear mirror with an axicon. The axicon has a retro-reflector effect – which means that an incident beam is reflected back into the exact same direction as the incident beam regardless of the tilt of the axicon (in first approximation). This effect has tremendously improved resonator alignment sensitivity and power stability. The increased resonator length (doubled by the axicon) removed the wavelength fluctuations and the axicon also stabilized the state of polarization.

The first prototype based on the helix-axicon resonator was finished in 1998 and the geometry was adjusted to $D = 77.5$ mm (the rest stayed the same: $l = 1000$ mm, $d = 6$ mm). Provided the scaling constant would remain stable at $40 \text{ kW mm} / \text{m}^2$ this should have allowed operation at 1500 Watt. At that time it was already clear that TRUMPF intended to use this technology for thin gauge sheet metal cutting and 1500 Watt provided (at that time) an interesting market niche in thin sheet metal cutting.

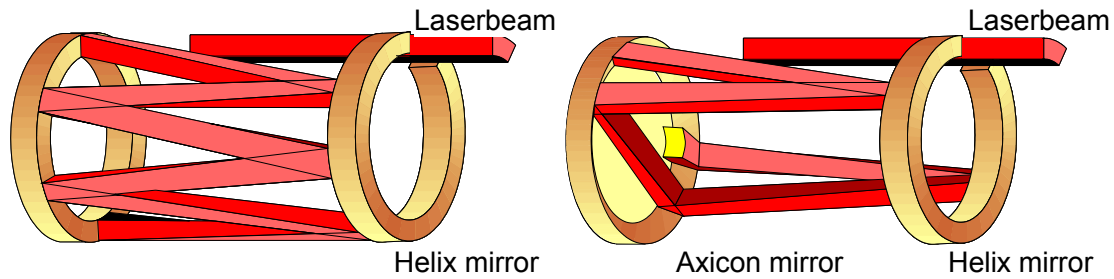


Figure 7: The helix resonator (left) consists of a toroidal rear mirror and an annular helix mirror with a helical slope in the azimuthal direction. This slope forces the beam on an azimuthal path and any photon along this path will eventually leave the resonator through an aperture in the form of an annular section. This resonator setup is very sensitive to misalignment and not very stable. A new design replaced the toroidal rear mirror with an axicon (right).

The laser worked very stable, just as was anticipated. The axicon improved the alignment stability by at least a factor of 20 – measured by the misalignment angle of a resonator mirror that would lead to significant power loss. While this angle was at 50 μrad for the helix resonator it increased to 1000 μrad for the helix-axicon resonator.

However, the output power of the laser remained at 1000 Watts. Many issues and problems were investigated and fixed over the next 16 months, but the maximum laser power that could be achieved remained at 1000 Watts. Several prototypes were built, none of them with more than 1000 Watts of output power.

After solving many issues, including gas chemistry, mirror deformation, RF distribution and others, the power meter one day unexpectedly showed 1200 Watts. This was so unexpected that the accuracy of the power meter was questioned. However, the next day the power meter showed 1500 Watts and within one week the same laser that was stuck at 1000 Watts for more than 16 months now broke the 2000 Watts barrier. At 2000 Watts the scaling factor for this geometry is 50 $\text{kW mm} / \text{m}^2$.

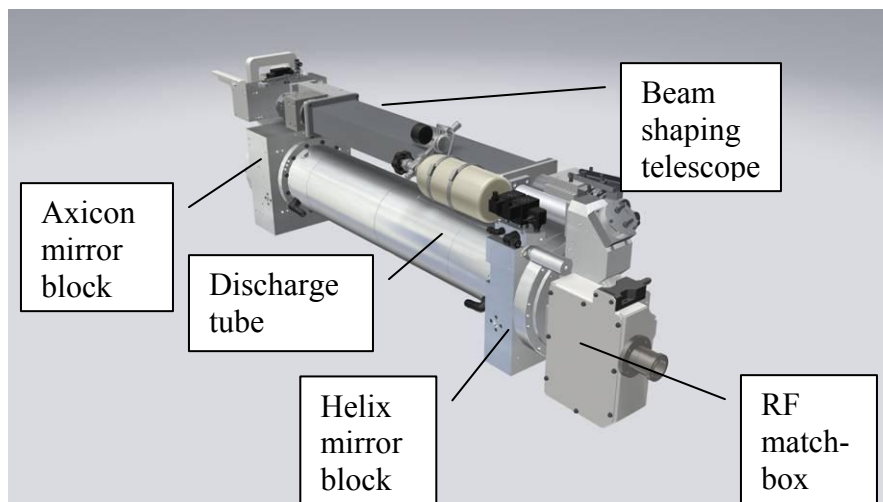


Figure 8: 3 D schematics of a TruCoax resonator with the discharge tube, the mirror blocks attached to the discharge tube, the beam shaping telescope, the RF matchbox in the front, the gas bottle used to refill the gas, lasting at least a year of operation.

In 2000 a core team consisting of 4 members of the German coax development team moved together with the project to the United States and established the high power laser development department at TRUMPF Inc. in Farmington, CT. In the summer of 2000 the first coax laser was operational at the newly built laboratory in the US. Many new employees needed to be hired and trained, vendors needed to be qualified and production processes needed to be established.

A major technical difficulty was uncovered and fixed – it had to do with the locally varying state of polarization due to the annular shape of the resonator mirrors. With the first design of the beam shaping telescope it was not possible to convert this state of polarization into the required circular state of polarization. However a solution was found and

implemented. This additional project cost the team about 1 year in development time; the move to the United States may have contributed to an additional year.

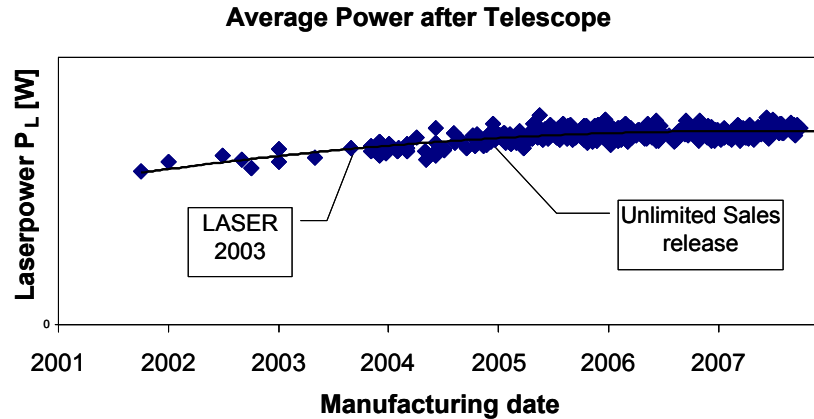


Figure 9: In this graph the normalized laser output power is plotted against the laser manufacturing date. Until 2003 about 10 lasers were built and tested internally. After presenting the laser to the public in 2003 about 50 units were delivered to chosen customers for extensive field tests until the product was released for unlimited world wide sales in 2005. At that point it had taken 13 years from idea to industrial product.

From 2001 to 2003 the product design was completed, housing, water distribution, safety mechanisms were developed and designed. Controls and software were developed and adapted. Operator manuals needed to be written, reliability and other tests needed to be performed. Several improvements were implemented. Figure 9 shows the normalized laser output power against the laser manufacturing date. Until 2003 10 lasers were built and internally tested. After presentation to the public on the Laser 2003 in Munich another 50 units were built and tested at chosen customers. In 2005 the product was released for unlimited world wide sales. In the same year the 100th laser was shipped out of Farmington, CT. Since then the TruCoax family has created nearly 40 jobs in Connecticut and enabled more than \$100 million revenue in laser and related systems business. Without the patience and endurance of the entire team and management of the TRUMPF group this success would not have been possible. Currently a 3200 Watt version of the Coax laser is in preparation and has been presented to the public.



Figure 10: Completion of the 100th Coax laser in 2005. Until this point it had taken 13 years from the patent to the industrial success. Since then the Coax laser has generated more than 40 jobs in Connecticut and generated more than \$100 million in laser and related system revenue. Without the patience and endurance of the entire team and management of TRUMPF this great success would not have been possible.

3. THE THIN DISK LASER

High power solid state lasers - high power loosely defined as an average output power above 1 kW – dominate laser welding. TRUMPF alone has more than 8000 units installed worldwide. Only recently have multi-kW diode pumped solid state lasers outnumbered the sales of multi-kW lamp pumped Nd:YAG lasers in industry. Multi-kW solid state lasers are used in automotive production, ship building, construction and other market sectors. The major advantage of high power solid state lasers over CO₂ lasers is the ability to transport the power using a fiber optical cable. This enables the remote installation of the laser and the articulation of a small welding head for instance at the end effector of a robot.

One of the major drawbacks of lamp pumped solid state lasers in the multi-kW class has been the lower beam quality and wall-plug efficiency than CO₂ lasers of comparable power.

Patent Number: 5,553,088

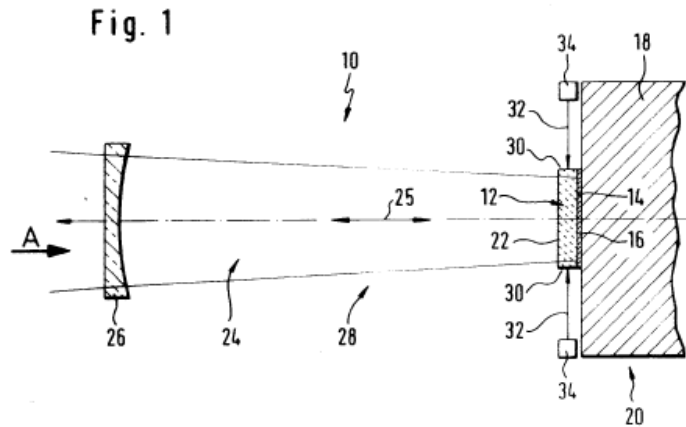


Figure 11: Figure 1 of the first thin disk laser patent [13] assigned to IFSW⁶ and the ITP⁷, both Stuttgart, Germany.

Inventors are Adolf Giesen, Uwe Brauch, Klaus Wittig and Andreas Voss. The thin disk laser medium (12) is pumped by a diode laser pump source (34) and an external resonator extracts the power from the thin disk laser crystal. In today's thin disk lasers the diode laser pump beam is incident under a shallow angle to the optical axis and passes through the disk up to 32 times.

The reason for the low beam quality of the lamp pumped Nd:YAG lasers can be found in the thermo-optical properties of the setup. The pump light of the lamp emits a spectrum of which only a small portion is actually transferred into the upper laser level in the rod shaped laser crystal. This leads to the very low optical-optical efficiency of a lamp pumped Nd:YAG laser and the very low wall plug efficiency of 2-4%.

The lamp emits on many different wavelengths. Pump radiation with higher photon energy than required for pumping the upper laser level is absorbed by the laser crystal. This causes an excessive heat flux in the laser crystal. The laser crystal is typically cooled using a fluid flow tube surrounding the Nd:YAG rod. Therefore the heat can only be removed on the cylindrical surface of the rod, while the power is absorbed in the rod volume. This yields a strong thermal gradient in the rod, which in turn creates a non-spherical variation of the index of refraction in the crystal perpendicular to the optical axis. In addition birefringence is induced in the crystal. All these thermo-optical effects are power dependent and can hardly be compensated. Therefore a compromise has to be found for a dynamically stable resonator that can be operated over a large range of pump powers. Such a compromise does not allow for a high beam quality resonator.

By introducing a diode pumped thin disk solid state laser medium all of these drawbacks can theoretically be eliminated. The diode laser emission can be perfectly matched to the absorption spectrum lines of the crystal. Diode lasers

⁶ Institut fuer Strahlwerkzeuge at the University Stuttgart

⁷ Institute of Technical Physics at the German Aerospace Center (DLR)

themselves have high electro-optical efficiency (typically above 60%). Together with the outstanding optical-optical efficiency of the thin disk laser (also greater 60% over a large range of operating conditions) and the low coupling losses (due to the large aperture of the thin disk) a very high wall plug efficiency of up to 27% (including auxiliary components) can be achieved.

In addition, the thin disk is cooled from the back side, so that the thermal gradient in first approximation is along the optical axis and therefore hardly induces any optical aberration. This enables high power operation with very good beam quality. Today thin disk lasers achieve similar values for output power and beam quality as CO₂ lasers of comparable output power and will enable new markets that require the ability to deliver the beam through an optical fiber assembly.

The first disk laser patent was awarded in 1993 to the IFSW and the ITP, both Stuttgart, Germany. Inventors are Adolf Giesen, Uwe Brauch, Klaus Wittig and Andreas Voss [13]. A figure from the original patent is shown in Figure 11.

The first results of a thin disk laser were presented in 1994 [14], the pump beam was delivered using single emitters and transmissive imaging optics as shown in Figure 12. The output power reported was 2 Watts.

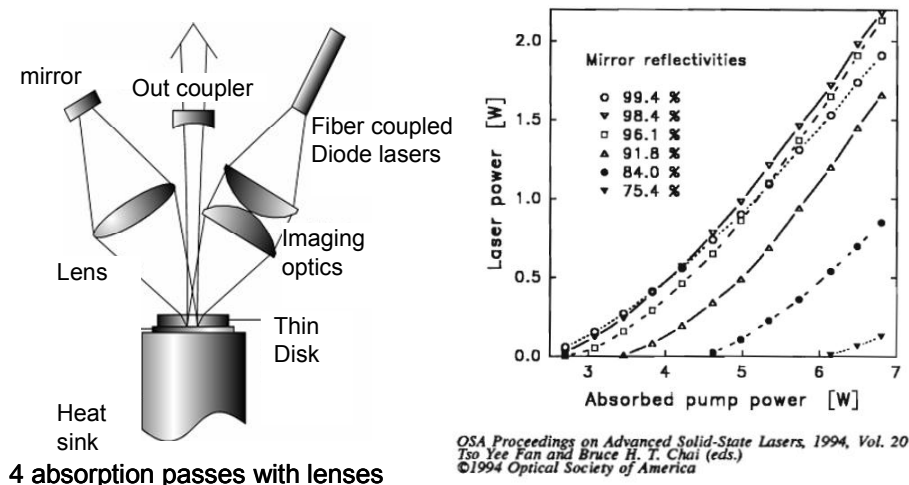


Figure 12: First reported results of the thin disk laser concept in 1994 [14]. The thin disk laser medium is pumped using fiber coupled single emitters and an output power of 2 Watts is reported.

After this first report, already in 1995 mode locked sub-ps operation was reported [15]. In the same year 10 Watts of average output power were reported [16]. 100 Watts were achieved in 1998 [17] and 1000 Watts (from 4 disks) resp. 647 Watts from one disk in 2000 [18].

Early on the IFSW and the ITP licensed the technology to interested industrial laser manufacturers and have awarded 20 such licenses as of now [19]. The referenced publication is also a very good summary of the current thin disk laser technology and its scalability in cw and ultra short pulsed operation.

TRUMPF started to work with the IFSW in 1996 and has since developed a high power platform that enables a large variety of products. Already at Laser 1999 in Munich the technology was presented to the public. The TRUMPF thin disk lasers are based on a multi-pass pump cavity that is shown in Figure 13. The collimated pump beam with a center wavelength of 940 nm enters the pump cavity through an aperture and is focused onto the thin disk with a large parabolic mirror.

The focused pump beam passes through the thin disk (100-200 μm thick and approx. 15 mm diameter) and is reflected by a thin film HR reflector on the back side of the disk. It passes through the disk again towards the parabolic mirror. Because of the optical setup, in this case the parabolic mirror collimates the pump beam again – it travels to a prism pair on the opposite side of the pump cavity. The prism pair displaces the pump beam and retro-reflects the beam to the parabolic mirror. Here the process starts again and continues until the pump beam has passed the thin disk 10 (in some design 8) times. Now the pump beam is reflected by a plane reflector (pump reflector) at a position opposing the parabolic mirror and the entire beam path is traced backwards for another 10 passes. Altogether the pump beam passes through the thin disk 20 times. Up to 32 passes of the pump radiation through the disk have been reported.

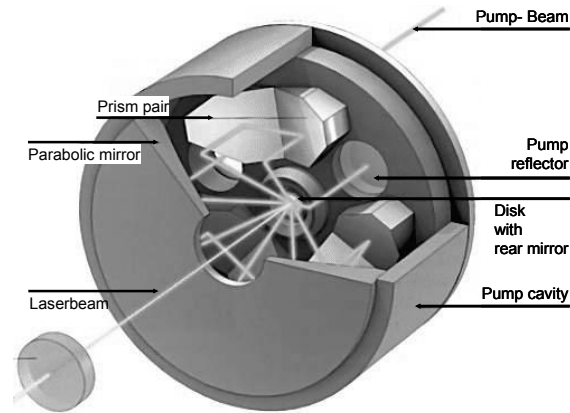


Figure 13: Pump cavity of a thin disk laser. Detailed description in the text.

The backside of the thin disk is also coated with an HR coating for the thin disk laser wavelength of 1030 nm. Together with the large aperture in the center of the parabolic mirror this allows to integrate the thin disk pump cavity into resonators with up to 4 thin disk pump cavities in series (TRUMFP design). Further scaling is possible by adding more disks to the resonator.

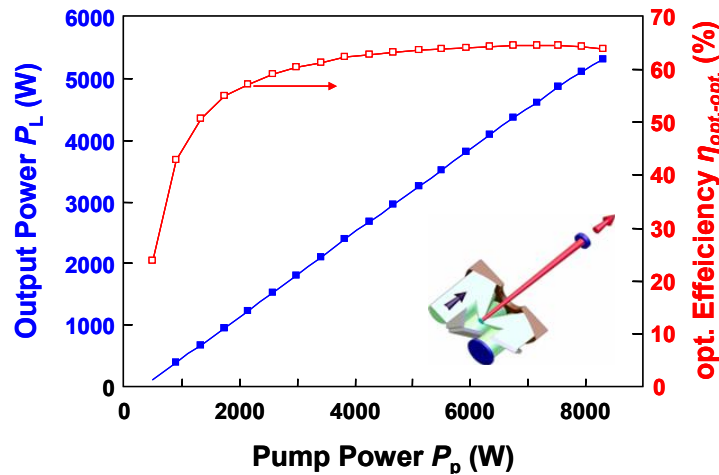


Figure 14: Output power characteristic of a single disk. An optical-optical efficiency > 60% over a wide range of operating conditions is achieved. The industrial solutions are operated at maximum of 2.5 kW per disk. An industrial four disk system achieves 10 kW of output power.

One of the major advantages of the thin disk laser is its true power scalability. That means, that power and brightness truly scale when the characteristic dimension (in this case the diameter of the disk) is increased. The reason for this scaling property is that all critical thermal and optical densities remain the same if the power is scaled with the square root of the thin disk diameter. The concept of true power scalability is well explained in [20].

At TRUMPF, the current high power series is built on a pump cavity rated at 2 kW output power guaranteed at the work piece. The same module can be operated at 5 kW without inducing any catastrophic damage. The power characteristic of a thin disk with up to 5 kW output power is shown in Figure 14.

Figure 15 shows a commercially available 8 kW thin disk laser with four pump cavities in series. This system has a guaranteed output power of 8 kW at a beam quality of $8 \text{ mm} \cdot \text{mrad}$. It is used in many different automotive and thick plate welding applications.

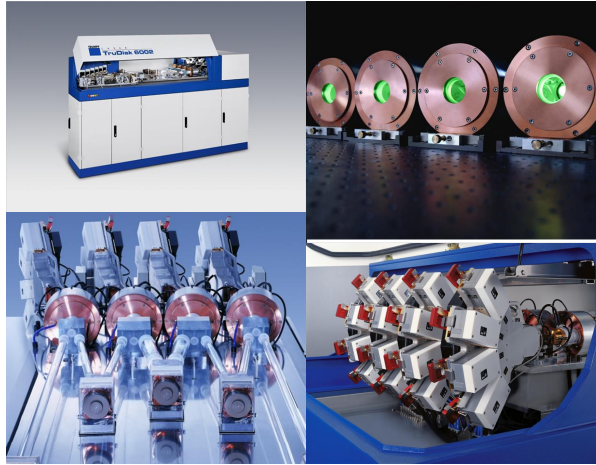


Figure 15: Commercially available 8 kW thin disk laser. Upper left: The entire laser system including chiller, beam switch and controls enclosed in a compact enclosure. Upper right: the four disks inside the pump cavities – the photoluminescence of the disks is visible. Lower left: The resonator setup with four thin disk modules in series, enabling a guaranteed output power of 8 kW at a beam quality of $8 \text{ mm} \cdot \text{mrad}$. Lower right: Each pump cavity is pumped with 4 individual stacks of high power diode laser arrays that can be exchanged by a trained operator within a few minutes.

Again it has taken at least 10 years from the patent to the industrial success of the thin disk laser. Exemplary this progress is summarized in Figure 16, where the power per disk (laboratory results) is compared to the industrial available laser power. The industrial success of the thin disk laser was enabled not only by the idea developed at the IFSW and the ITP, but also by the availability of reliable and cost effective high power diode laser arrays. This technology is based on many different ideas and developments and the next section will highlight how a particular fundamental idea – the broadened waveguide technology – has played a major role in the industrial success of high power diode laser arrays.

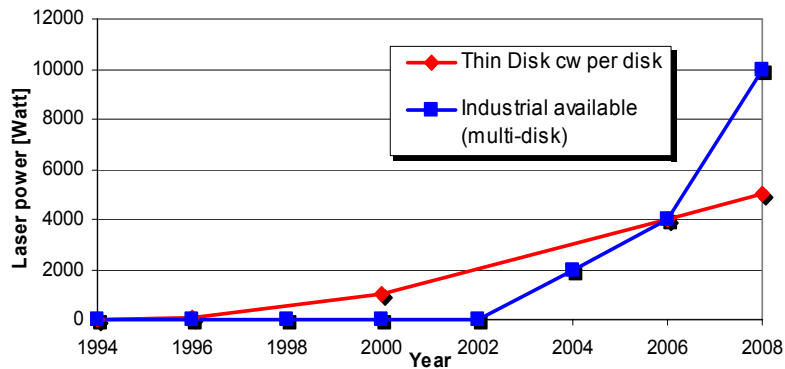


Figure 16: Thin disk cw power per disk (laboratory results) and power level of industrially available (multi-disk) thin disk laser systems vs. time. Again it took at least a decade from the patent in 1994 to industrial success.

4. BROADENED WAVEGUIDE TECHNOLOGY AND HIGH POWER DIODE LASERS

In 1991 Dmitri Z. Garbuzov proposed a novel vertical structure for high power diode lasers that utilizes a broadened waveguide. In this structure the fundamental mode has very little overlap with the doped cladding layers, which drastically reduces the losses of such a system. This enabled very long devices and therefore very low thermal resistance values. Garbuzov was working at the A.F. Ioffe Physical Technical Institute in Leningrad at the time and developed his idea. In 1991 Garbuzov presented results that increased the world record for high power diode laser emitters 5 fold from 1 Watt for a 100 μm stripe width to 5 Watts [21]. More than 15 years after the first results were presented, the combination of high efficiency and low thermal resistance has enabled record powers of nearly 1000 Watts from a single 1 cm wide high power diode laser array [30].

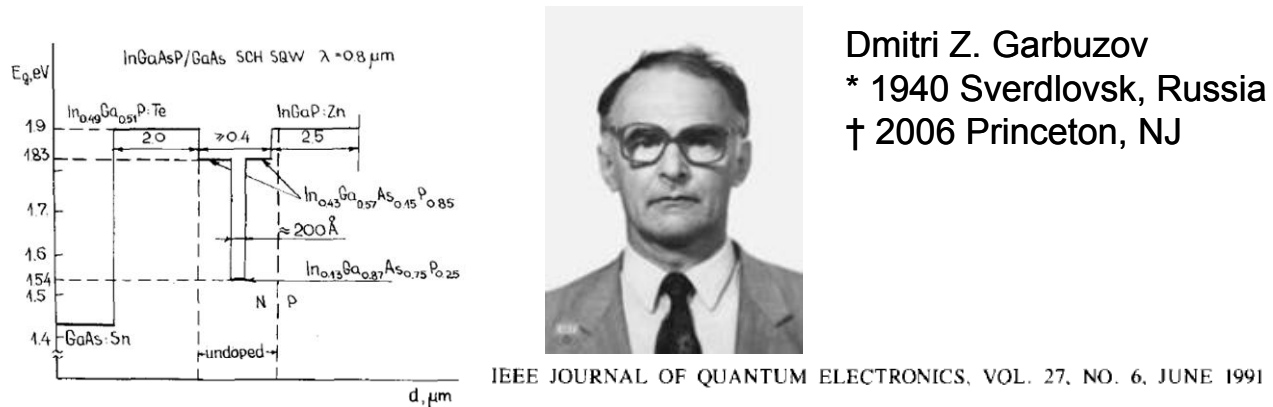


Figure 17: In 1991 Garbuzov presents the results of a novel high power diode laser vertical structure that would have a broad area waveguide and therefore very little overlap with the doped cladding layers. Already in 1991 his team can show 5 Watt output power from a 100 μm stripe [21].

High power diode pump sources, used for high power solid state laser pumping are typically made up of an ensemble of emitters with single mode output in the vertical direction and multimode operation in the horizontal direction. The horizontal aperture – also called stripe width – for a high power diode laser is typically between 50 and 200 μm wide. One parameter (of many) that shows the capability of a certain high power structure is the output power per 100 μm stripe width. This measure will be used in the section to compare results. Since a large number of such emitters are needed to pump a multi-kW solid state laser it is convenient to look at the output power of an integrated array of such single stripes. It is common to compare the output of a 1 cm wide array of 45-50 such emitters, each with a stripe width of 100 μm . A direct comparison between the 100 μm stripe results and the 1 cm array is not possible, since the array cannot reach the same output power due to three dimension heat conduction effects between the neighboring emitters.

The broadened waveguide technology has had a long lasting impact on high power diode lasers as well as on diode pumped solid state lasers. In 1994 Garbuzov joins the David Sarnoff Research Center and Princeton University in Princeton, NJ.

Within 5 years a new semiconductor laser material structure with greater than 10 Watts of output power from a 100 μm wide emitter was realized [23]. For the first time, J. H. Abeles, J. C. Connolly and D. Z. Garbuzov demonstrated optical and electronic processes could be optimized individually [22]. In the year 2000 Princeton Lightwave Inc. (PLI) is spun-off from the David Sarnoff Research Center with 5 founders from Sarnoff, including Garbuzov and Connolly to commercialize the broadened waveguide technology for telecommunications applications. Within 2 years PLI reports [23] single-mode power levels > 1 Watt from InGaAsP / InP. This had major impact on the telecommunication technology and market. About 2 years after the breakdown of the telecommunications market TRUMPF acquired the broadened waveguide technology and the semiconductor growth and processing facility from PLI.

Figure 18 shows the progression of laboratory and commercially available output powers from 1 cm wide high power diode laser arrays over time. Today these devices are commercially available with 100 Watt output power [24] and almost 1000 Watts qcw have been shown in the laboratory [30]. Two distinct time periods of commercial success can be identified. Around 1998 the availability of high power diode laser arrays with 20-40 Watts of output power enabled many different diode pumped solid state lasers with powers of a few Watts, but typically pulsed and frequency

converted. These lasers were very successful in micro-processing. Around the year 2001 the market for marking laser systems also changed over entirely from lamp pumped to diode pumped solid state lasers, driven by the availability of fiber coupled 20 watt (later 40 Watt) arrays.

A few years later, around 2005, industrial availability of high power diode lasers with more than 5 Watt per 100 μm stripe and 80 Watts from a 1 cm array enabled cost effective multi-kW operation of diode pumped solid state lasers. Currently many efforts are geared towards driving the output power per device even higher, therefore further reducing the investment cost for high power thin disk and fiber lasers.

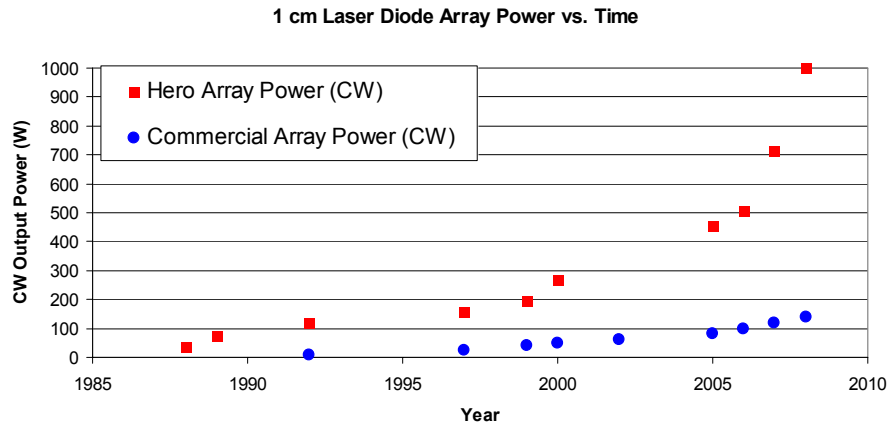


Figure 18: Laboratory and commercially available output powers from 1 cm wide high power diode laser arrays over time. Today these devices are commercially available with 100 Watt output power and almost 1000 Watts have been shown in the laboratory. The broadened waveguide technology was one of the fundamental enabling technologies for this success. Results from [26], [27], [28], [29], [30]

Figure 19 shows the P-I characteristic of such a next generation device, manufactured at TRUMPF Photonics. Mounted on a micro-channel cooler the device is capable of deploying 200 Watts of output power at a junction temperature T_j of 60° C. While record power levels of nearly 1000 Watts were reported, it is important to look at the output power at a low junction temperature, as the degradation of the laser material is exponentially dependent on the junction temperature. A junction temperature T_j of 60° C will ensure degradation rates that enable tens of thousands of hours of operation. The two curves represent different fill factors (33% and 50%) – the results are discussed in [31].

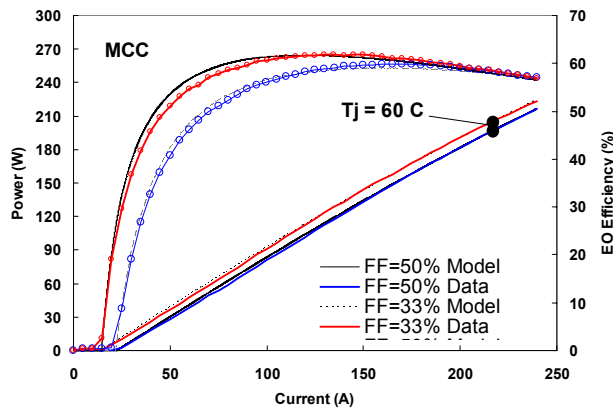


Figure 19: P-I characteristic of a modern 1 cm wide high power diode laser array, manufactured at TRUMPF Photonics. Mounted on a micro-channel cooler the device is capable of deploying 200 Watts of output power at a junction temperature T_j of 60° C. While record power levels of nearly 1000 Watts were reported, it is important to look at the output power at low junction temperature, as the degradation of the laser material depends exponentially on it. [31]

Today the broadened waveguide technology has become an enabling part of industrial diode pumped solid state lasers. More than a decade passed from the formulation of the first idea in 1991 to the deployment in diode pumped marking lasers in 2001 and until 2005 for the deployment in high power diode pumped solid state lasers.

5. CONCLUSION

Diffusion cooled CO₂ lasers with coaxial discharge, diode pumped thin disk lasers, high power diode laser arrays – in all cases it took 10-15 years for a novel idea to become an industrial success. While these are only three case studies, it seems conceivable that this long time scale for development and commercialization demonstrates a fundamental time-scale in the high-technology sector. It is particularly interesting how little the time frame is impacted by the individual approaches and boundary conditions – in one case a development department was created and moved from Germany to the United States, in the other case the technology remained the entire time within Germany, in the third case a scientist and his team came from Russia, joined a US research center, spun-off a start-up company and eventually got acquired by TRUMPF. None of these aspects seem to matter. It seems to take time for a technology to be transferred into industry, regardless of the individual approach.

If the time scale of 10 years or more for commercialization is correct, it is important for future developments to try to anticipate what alternative, existing technologies might achieve through their improvement in those 10 years and develop a technology that is still disruptive 10 years from now.

6. ACKNOWLEDGEMENTS

The author wishes to thank the following individuals for their generous support in putting this short history together:

Joseph Abeles, Sarnoff Corp., Princeton, NJ

John Connolly, Innovative Photonic Solutions, Princeton, NJ

Andreas Voss, Institut fuer Strahlwerkzeuge – IFSW, Stuttgart, Germany

Christof Hertzler, Christian Schmitz, Christine Benz, Jochen Deile, Greg Charache and John Hostetler, all from TRUMPF in various locations and countries.

The author wishes to thank the original inventors and the hundreds of people that made these ideas an industrial success:

Joseph Abeles, Uwe Brauch, John Connolly, Keming Du, Dmitri Garbuzov, Adolf Giesen, Uwe Habich, Peter Loosen, Andreas Voss, Klaus Wittig, the staff at the ILT in Aachen, at Princeton Lightwave, at the Ioffe Institute, at the Sarnoff Corporation, at the IFSW, at TRUMPF Photonics, TRUMPF Inc., TRUMPF in Germany and many, many more

REFERENCES

- [1] Kincade, K., Anderson, S., G., “LASER MARKETPLACE 2008: Innovation opens the door for next wave of success”, Laser Focus World, 44 (2), 74-95 (2008)
- [2] Vitruk, P., Baker, H., J., Hall, D., R., “Similarity and scaling in diffusion-cooled RF-excited carbon dioxide lasers”, IEEE J. of Quantum Electronics, 30 (7), 1623-1634 (1994)
- [3] Product brochure, Firestar f400, Synrad, www.synrad.com
- [4] Product brochure, Diamond E-400, Coherent, www.coherent.com
- [5] Product brochure, SM 2000 E, FeHa Laser, www.feha-laser.de
- [6] Product brochure, rofin DC series, Rofin Sinar, www.rofin.com
- [7] Product brochure, TruCoax, TRUMPF, www.trumpf-laser.com
- [8] Tulip, J., “Carbon dioxide slab laser”, United States Patent 4,719,639 (1988)
- [9] Siegman, A., E., [Lasers], University Science Books, 903ff (1986)
- [10] Du, K., Loosen, P., Habich, U., “Laser resonator”, German patent DE 41 23 024 (1992)
- [11] Ehrlichmann, D., Habich, U., Plum, H.-D., Loosen, P., Herziger, G., “Azimuthally unstable resonators for high-power CO₂ lasers with annular gain media”, IEEE J. of Quantum Electronics, 30 (6), 1441 – 1447 (1994)
- [12] Schlüter, H., “Laser resonator”, German patent DE 59 80 549 (1997)
- [13] Giesen, A., Brauch, U., Voss, A., Wittig, K., “Laser amplifying system”, German patent DE 41 32 063 (1994)

- [14] Giesen, A., Hügel, H., Voss, A., Wittig, K., Brauch, U., Opower, H., "Diode-pumped high-power solid-state laser: concept and first results with Yb:YAG", OSA Proceedings on Advanced Solid State Lasers Vol. 20, 91 (1994)
- [15] Giesen, A., Hönniger, C., Zhang, G., Keller, U., "Femtosecond Yb:YAG laser using semiconductor saturable absorbers", OPTICS LETTERS, 20 (23), 2402-2404 (1995)
- [16] Brauch, U., Giesen, A., Karszewski, M., Stewen, C., Voss, A.: "Multiwatt diode-pumped Yb:YAG thin disk laser continuously tunable between 1018 and 1053 nm", OPTICS LETTERS, 20 (7), 713-715 (1995)
- [17] Karszewski, M., Brauch, U., Contag, K., Erhard, S., Giesen, A., Johannsen, I., Stewen, C., Voss, A., "100 W TEM operation of Yb :YAG thin disk laser with high efficiency", OSA Trends in Optics and Photonics, Advanced Solid-State Lasers, W. A. Bosenberg and M. M. Frejer, Eds. Washington, DC: Opt. Soc. Amer., vol. 19, 125 (1998)
- [18] Stewen, C., Contag, K., Larionov, M., Giesen, A., Hügel, H., "A 1-kW CW Thin Disk Laser", IEEE J. of Quantum Electronics, 6 (4), 650-657 (2000)
- [19] Giesen, A., Speiser, J., "Fifteen Years of Work on Thin-Disk Lasers: Results and Scaling Laws", IEEE J. of Quantum Electronics, 13 (3), 598-609 (2007)
- [20] R. Paschotta, "Power scalability as a precise concept for the evaluation of laser architectures", open access paper on arXiv.org, see www.arxiv.org/abs/0711.3987
- [21] Garbuzov, D., Z., Antonishkis, N., Y., Bondarev, A., D., Gulakov, A., B., Zhigulin, S., N., Katsavets, N., I., Kochergin, A., V., Rafailov, E., V., "High-power 0.8 μm InGaAsP-GaAs SCH SQW lasers", IEEE J. of Quantum Electronics, 27 (6), 1531 – 1536 (1991)
- [22] Garbuzov, D., Z., Abeles, J., H., Connolly, J., C., "High Power Semiconductor Laser Diode", United States Patent 5,818,860 (1995)
- [23] Garbuzov, D., Z., Maiorov, M., Harvey, M., Al-Muhanna, A., Mawst, L., Botez, D., Connolly, J., "Super High Power Operation of 0.98 μm InGaAs(P)/InGaP/GaAs Broadened Waveguide Separate Confinement Heterostructure Quantum Well Diode Lasers", Proc. SPIE Photonics West '99, Physics and Simulation for Optoelectronic Devices VI, Vol. 3625, pp. 100-107, San Jose, CA Jan. 23-29, 1999.
- [24] Garbuzov, D., Menna, R., Komissarov, A., Maiorov, M., Khalfin, V., Tsekoun, A., Todorov, S., Connolly J., "1400 – 1480 nm ridge wavelength pump lasers with 1 watt CW output power for EDFA and Raman amplification", Optical Fiber Communication Conference postdeadline papers, OSA Technical Digest Series, Optical Society of America, Washington, D.C., 2001
- [25] Product brochure, JOLD-x-CANN-1L, Jenoptik Laserdiode, www.jold.de
- [26] Jansen, M., et al, "High performance laser diode bars with aluminum-free active regions", Optics Express, 4 (1), 3-11 (1999)
- [27] He, X., Patel, R., Ovtchinnikov, A., Kanskar, M., Yang, S., Harrison, J., "Record high CW power for monolithic diode arrays at 940 nm and 808nm", Proc. of LEOS '99. IEEE, Vol. 1, 74-75 (1999)
- [28] Gupta, S., Garcia, A., Srinivasan, S., He, X., Wilson, S., Harrison, J., Patel, R., "High average power density (0.2-0.65 kW/cm²) diode laserstacks for 808 nm, 915 nm & 940 nm wavelengths", Proc. of ISLC, 53-54 (1998)
- [29] Mikulla, M.; Walther, M.; Kiefer, R.; Jandeleit, J.; Brandenburg, W.; Loosen, P.; Poprawe, R.; Weimann, G., "High-power diode laser bars >250 W", Proc. of LEOS 2000. IEEE, Vol. 1, (2000)
- [30] Schröder, D., Meusel, J., Hennig, P., Lorenzen, D., Schröder, M., Hülsewede, R., Sebastian, J., "Increased power of broad area lasers (808nm / 980nm) and applicability to 10mm-bars with up to 1000Watt QCW", Proc. of SPIE Vol. 6456, 64560N, (2007)
- [31] Hostetler, J., L., Jiang, C., L., Negoita, V., Vethake, T., Roff, R., Shroff, A., Li, T., Miester, C., Bonna, U., Charache, G., Schlüter, H., Dorsch, F., "Thermal and strain characteristics of high power 940 nm laser arrays mounted with AuSn and In solders", Proc. SPIE Vol. 6456, San Jose, USA, 645602 (2007)